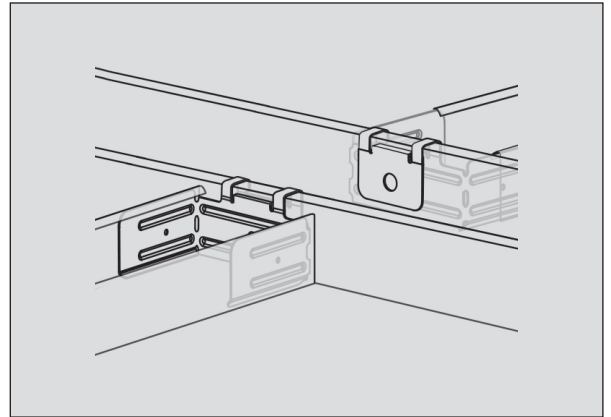
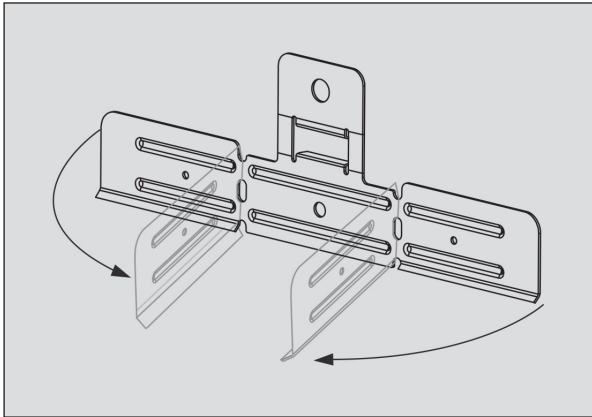


Flush connector, CD 60/27

Art. no. 102625



Application

Flush connection of the CD 60/27 profile

Characteristics

- The resulting connection is flush and free of tension.
- The flat design allows compact storage and handling.
- The limbs can be secured by means of screwing or by using connection pliers.

Technical data

Material	Zinc-plated sheet steel	Packing unit	100 pcs. / PU
Material thickness	0.9 mm	Fire behaviour	Class A1
Shelf life	Unlimited	Load-bearing capacity	(not required)
Storage conditions	Store in a dry place protected against moisture and wetness	Corrosion protection	Class B

(Relevant test certificates / declarations of performance can be requested, if necessary.)

Notes

- Suitable for use in damp rooms only if provided with special anti-corrosive coating (on request).
- Not suitable for outdoor installation.